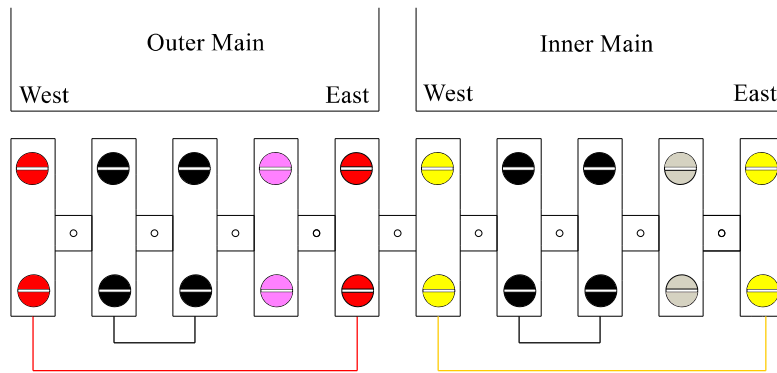
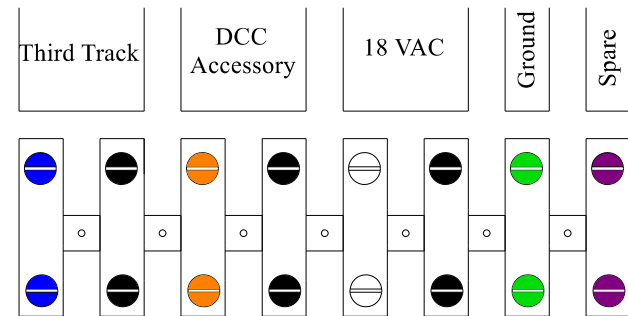


Harness Configuration Diagram (11-10-2016)



Remove the Red and Yellow Jumper Wires for an Active Module

10 Pole Terminal Strip



8 or 10 Pole Terminal Strip